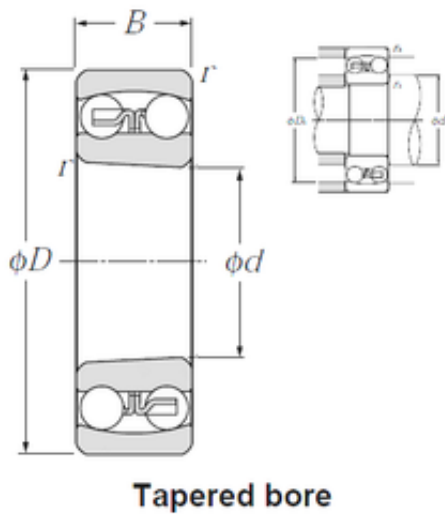




BEARING de Mexico?S.A.



80 mm x 170 mm x 39 mm NTN 1316SK Self-aligned ball bearings

Bearing No. 1316SK

1316SK Bearing 2D drawings and 3D CAD models

Size	80x170x39 mm
Bore Diameter	80 mm
Outer Diameter	170 mm
Width	39 mm
d	80 mm
D	170 mm
B	39 mm
C	39 mm
r min.	2,1 mm
da min.	91 mm
Da max.	159 mm
ra max.	2 mm
Weight	4,31 Kg
Basic dynamic load rating (C)	89 kN
Basic static load rating (C0)	33 kN
(Grease) Lubrication Speed	3 600 r/min
(Oil) Lubrication Speed	4 300 r/min
Calculation factor (e)	0,22
Calculation factor (Y0)	3,1
Calculation factor (Y1)	2,9
rs min	2.1 mm
Associated sleeve reference	H316X
e	0.22
Y1	2.9
Y2	4.5



BEARING de Mexico?S.A.

Y0	3.1
Radial clearance class	CN
Precision class	P0
Mass	4.31 kg
Dynamic load, C	89 kN
Static load, C0	33 kN
Nlim (oil)	4,300 rpm
Nlim (grease)	3,600 rpm
Min operating temperature, Tmin	-20 ° C
Max operating temperature, Tmax	120 ° C
da min	91 mm
da max	103 mm
db min	86 mm
Ce min	5 mm
Da max	159 mm
ra max	2 mm