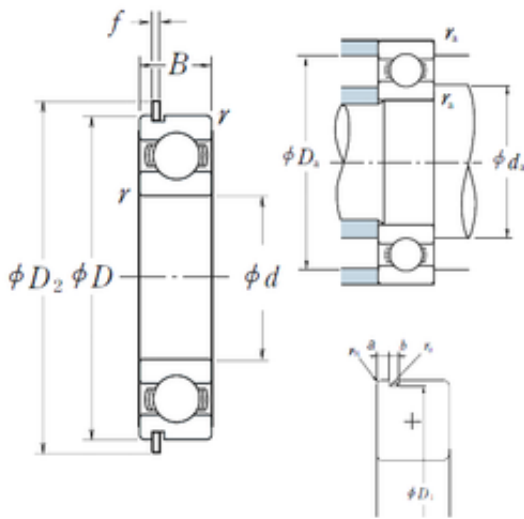




BEARING de Mexico?S.A.



35 mm x 47 mm x 7 mm NSK 6807NR Rigid ball bearings

Bearing No. 6807NR

Size	35x47x7 mm
Bore Diameter	35 mm
Outer Diameter	47 mm
Width	7 mm
d	35 mm
D	47 mm
B	7 mm
C	7 mm
rn	0,3 mm
a	1,3 mm
b	0,95 mm
f	0,85 mm
r min.	0,3 mm
r0 max.	0,25 mm
D1	45,7 mm
D2	49,8 mm
da min.	37 mm
da max	37 mm
Da max.	45 mm
ra max.	0,3 mm
Weight	0,027 Kg
Basic dynamic load rating (C)	4,9 kN
Basic static load rating (C0)	4,1 kN
(Grease) Lubrication Speed	14 000 r/min
(Oil) Lubrication Speed	16 000 r/min

6807NR Bearing 2D drawings and 3D CAD models



BEARING de Mexico?S.A.

SRI	1.81
hidYobi	6807NR
LangID	1
ro	0.25
D_	47
SREX	0.015
B_	7
da min	37
hidTable	ecat_NS RDGB
Oil rpm	16000
SRE	1.81
Cy	1.8
mass	0.027
GRS rpm	14000
ra	0.3
SRIX	0.015
D_a	45
SRIN	-0.015
C0	4.1
fo	16.7
SREN	-0.015
DE_	44.1
Prod_Type3	DGBB_SR_NR_OT
DA_	3.5
bomp	0
Z_	20
yobi	6807NR
Dx	50.5
C_conv	4900
ALPHA_	0
SDM_	40.6
r	0.3



BEARING de Mexico?S.A.

KBRG	6101
SBRG	18
DI_	37.1