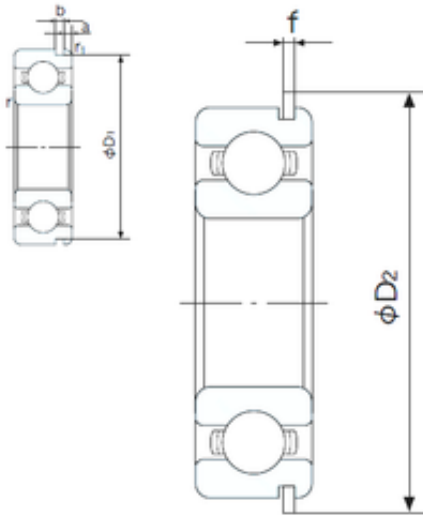




BEARING de Mexico?S.A.



20 mm x 47 mm x 14 mm NACHI 6204NR
Rigid ball bearings

Bearing No. 6204NR

6204NR Bearing 2D drawings and 3D CAD models

Size	20x47x14 mm
Bore Diameter	20 mm
Outer Diameter	47 mm
Width	14 mm
d	20 mm
D	47 mm
B	14 mm
C	14 mm
a	2.46 mm
b	1.35 mm
f	1.12 mm
r min.	1 mm
r1 min.	0.5 mm
D1	44.6 mm
D2	52.7 mm
Weight	0.106 Kg
Basic dynamic load rating (C)	12,8 kN
Basic static load rating (C0)	6,6 kN
(Grease) Lubrication Speed	14000 r/min
Category	Ball Bearings
Inventory	6.0
Manufacturer Name	NACHI
Minimum Buy Quantity	N/A
UNSPSC	31171504
Weight / Kilogram	0.104



BEARING de Mexico?S.A.

Product Group	B00308
Bore Type	Cylindrical Bore
Configuration	Single Row
Enclosure	Snap Ring Groove with Snap Ring
Bore Size	20 mm
Outside Diameter	47 mm
Width	14 mm
Fillet Radius/Chamfer	1 mm
r1	0.5 mm
Snap Ring Width	1.1 mm
Snap Ring Outside Diameter	52.7 mm
D1 (max)	44.6 mm
a (max)	2.5 mm
b (min)	1.4 mm
Dynamic Load Rating	12,800 N
Static Load Rating	6,600 N
Limiting Speed - Grease	16,000 rpm
Limiting Speed - Oil	18,000 rpm
Factor fo	13.1
Radial Clearance	0.005 to 0.020 mm
da (min)	26 mm
Da (max)	41 mm
Dx (min)	53.5 mm
ra (max)	1 mm
Cy (max)	3.3 mm