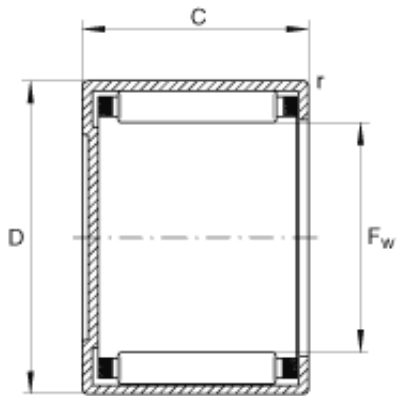




BEARING de Mexico?S.A.



INA BCH1012 Needle bearings

Bearing No. BCH1012

Size	15.875x22.225x19.05 mm
Bore Diameter	15,875 mm
Outer Diameter	22,225 mm
Width	19,05 mm
F_w	5/8 inch
F_w	15,875 mm
D	0,875 inch
D	22,225 mm
C	0,75 inch
C	19,05 mm
m	0,042 lbs / Weight
m	19 g / Weight
C_r	3300 lbf / Dynamic load rating (radial)
C_r	14700 N / Dynamic load rating (radial)
C_{0r}	4500 lbf / Static load rating (radial)
C_{0r}	20000 N / Static load rating (radial)
n_G	17600 1/min / Limiting speed

BCH1012 Bearing 2D drawings and 3D CAD models