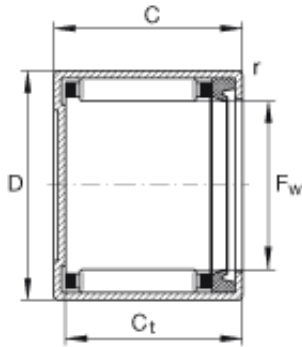




BEARING de Mexico?S.A.



INA BK2018-RS Needle bearings

Bearing No. BK2018-RS

Size	20x26x18 mm
Bore Diameter	20 mm
Outer Diameter	26 mm
Width	18 mm
F_w	20 mm
D	26 mm
C - 18 mm / Tolerance: -0,3	18 mm / Tolerance: 0,3
$C_{t\min}$	15,3 mm
r_{\min}	0,8 mm
m	24 g / Weight
C_r	12700 N / Dynamic load rating (radial)
C_{0r}	20100 N / Static load rating (radial)
C_{ur}	2500 N / Fatigue limit load, radial
$n_{G\text{Fett}}$	8500 1/min / Limiting speed for grease lubrication
	LR17X20X16,5 / Suitable inner ring
Category	Needle Non Thrust Roller Bearings
Inventory	0.0
Manufacturer Name	SCHAEFFLER GROUP
Minimum Buy Quantity	N/A
Weight / Kilogram	0.03
EAN	4047643186827
Product Group	B04144

BK2018-RS Bearing 2D drawings and 3D CAD models



BEARING de Mexico?S.A.

Rolling Element	Needle Roller Bearing
Component	Roller Assembly with Outer Ring - No Inner Ring
Enclosure	1 Seal
Self Aligning	No
Retainer	Yes
Number of Rows of Rollers	Single Row
Separable	No
Closed End	Yes
Inch - Metric	Metric
Relubricatable	No
Thrust Bearing	No
Long Description	20MM Bore; 26MM Outside Diameter; 18MM Width; Needle Roller Bearing; Roller Assembly with Outer Ring - No Inner Ring; 1 Seal Enclosure; No Self Aligning; Retainer; Single Row of Rollers; No Separable;
Other Features	1 Rib Outer Ring Drawn Cup Bearing Steel Cage
Category	Needle Non Thrust Roller Bearing
UNSPSC	31171512
Harmonized Tariff Code	8482.40.00.00
Noun	Bearing
Keyword String	Needle
Manufacturer URL	http://www.ina.com
Manufacturer Item Number	BK2018RS
Weight / LBS	0.046
Outside Diameter	1.024 Inch 26 Millimeter
Width	0.709 Inch 18 Millimeter
Bore	0.787 Inch 20 Millimeter