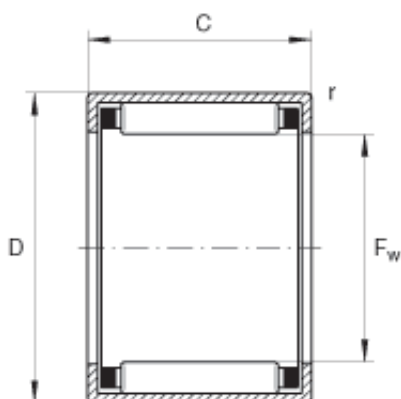




BEARING de Mexico?S.A.



HK2016 Bearing 2D drawings and 3D CAD models

INA HK2016 Needle bearings

Bearing No. HK2016

Size	20x26x16 mm
Bore Diameter	20 mm
Outer Diameter	26 mm
Width	16 mm
F_w	20 mm
D	26 mm
C - 16 mm / Tolerance: -0,3	16 mm / Tolerance: 0,3
r_{min}	0,8 mm
m	19 g / Weight
C_r	12700 N / Dynamic load rating (radial)
C_{0r}	20100 N / Static load rating (radial)
C_{ur}	2500 N / Fatigue limit load, radial
n_G	12700 1/min / Limiting speed
n_B	8700 1/min / Reference speed
	LR17X20X16,5 / Suitable inner ring
	IR17X20X16,5 / Suitable inner ring
Category	Needle Non Thrust Roller Bearings
Inventory	0.0
Manufacturer Name	SCHAEFFLER GROUP
Minimum Buy Quantity	N/A



BEARING de Mexico?S.A.

Weight / Kilogram	0.02
EAN	4026677167101
Product Group	B04144
Rolling Element	Needle Roller Bearing
Component	Roller Assembly with Outer Ring - No Inner Ring
Enclosure	Open
Self Aligning	No
Retainer	Yes
Number of Rows of Rollers	Single Row
Separable	No
Closed End	No
Inch - Metric	Metric
Relubricatable	No
Thrust Bearing	No
Long Description	20MM Bore; 26MM Outside Diameter; 16MM Width; Needle Roller Bearing; Roller Assembly with Outer Ring - No Inner Ring; Open; Not Self Aligning; Retainer; Single Row of Rollers; Not Separable; Not Close
Other Features	2 Rib Outer Ring Drawn Cup Bearing Steel Cage
Category	Needle Non Thrust Roller Bearing
UNSPSC	31171512
Harmonized Tariff Code	8482.99.65.30
Noun	Roller Assembly with Outer Ring
Keyword String	Bearing Needle
Manufacturer URL	http://www.ina.com
Manufacturer Item Number	HK2016
Weight / LBS	0.042



BEARING de Mexico?S.A.

Bore	0.787 Inch 20 Millimeter
Width	0.63 Inch 16 Millimeter
Outside Diameter	1.024 Inch 26 Millimeter