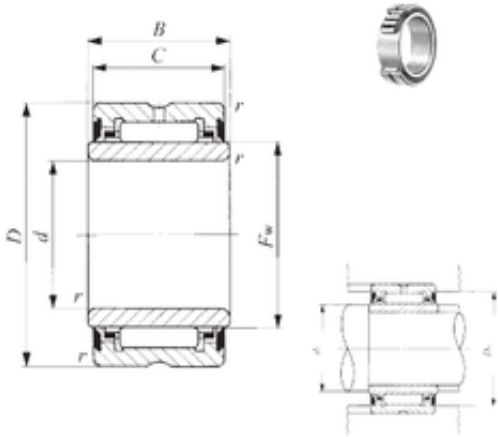




BEARING de Mexico?S.A.

55 mm x 80 mm x 26 mm IKO NA 4911UU
Needle bearings

Bearing No. NA 4911UU



NA 4911UU Bearing 2D drawings and 3D CAD models

Size	55x80x26 mm
Bore Diameter	55 mm
Outer Diameter	80 mm
Width	26 mm
d	55 mm
Fw	63 mm
D	80 mm
B	26 mm
C	25 mm
r min.	1 mm
da min.	60 mm
da max	61 mm
Da max.	75 mm
Weight	0,415 Kg
Basic dynamic load rating (C)	52,2 kN
Basic static load rating (C0)	85,7 kN