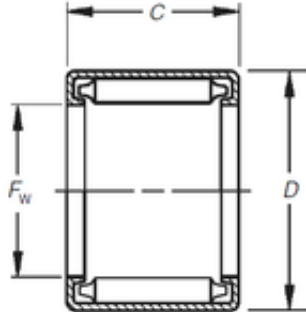




BEARING de Mexico?S.A.

Timken B-1012 Needle bearings



Bearing No. B-1012

Size	15.875x20.638x19.05 mm
Bore Diameter	15,875 mm
Outer Diameter	20,638 mm
Width	19,05 mm
Fw	15,875 mm
D	20,638 mm
C	19,05 mm
Weight	0,015 Kg
Basic dynamic load rating (C)	16,6 kN
Basic static load rating (C0)	33,7 kN
(Grease) Lubrication Speed	3000 r/min

B-1012 Bearing 2D drawings and 3D CAD models