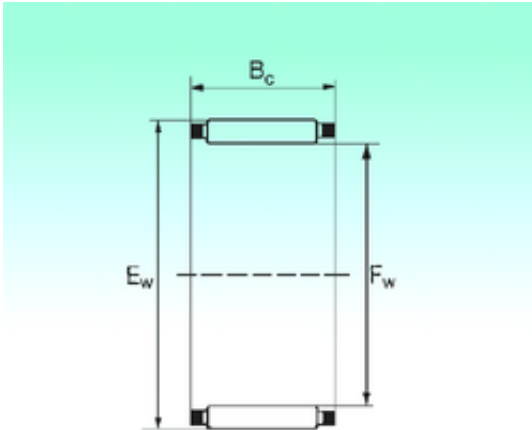




BEARING de Mexico?S.A.



NBS K 10x13x10 TN Needle bearings

Bearing No. K 10x13x10 TN

Bore Diameter	10 mm
Outer Diameter	13 mm
Fw	10 mm
Ew	13 mm
Bc	10 mm
Weight	0,0016 Kg
Basic dynamic load rating (C)	4,5 kN
Basic static load rating (C0)	5,25 kN

K 10x13x10 TN Bearing 2D drawings and 3D CAD models