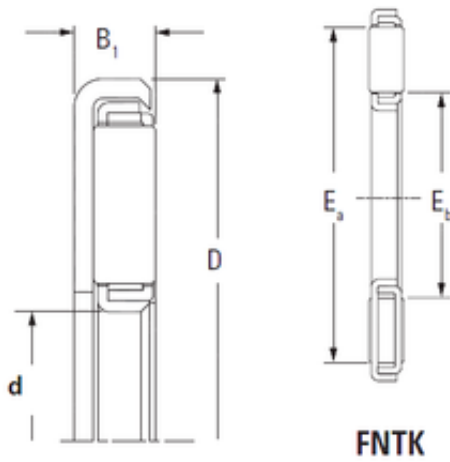




BEARING de Mexico?S.A.



Timken FNTK-1732 Needle bearings

Bearing No. FNTK-1732

Size	17x32x2.85 mm
Bore Diameter	17 mm
Outer Diameter	32 mm
Width	2,85 mm
d	17 mm
D	32 mm
B1	2,85 mm
Ea	29 mm
Eb	19 mm
Weight	0,008 Kg
Basic dynamic load rating (C)	10,8 kN
Basic static load rating (C0)	34,8 kN

FNTK-1732 Bearing 2D drawings and 3D CAD models