

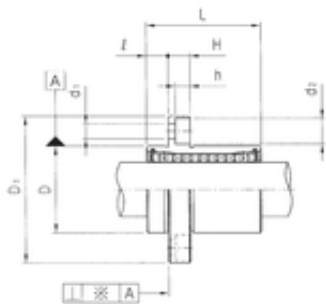


BEARING de Mexico?S.A.



Samick LMEFP60UU Linear bearings

Bearing No. LMEFP60UU



LMEFP60UU Bearing 2D drawings and 3D CAD models

Bore Diameter	60 mm
Outer Diameter	90 mm
d	60 mm
D	90 mm
d1	17,5 mm
d2	10,8 mm
h	18 mm
D1	134 mm
H	112 mm
L	125 mm
PCD	11 mm
	18 Tolerance h14
Tolerance perpendicularity (C)	25
Weight	3,18 Kg
Basic dynamic load rating (C)	4,7 kN