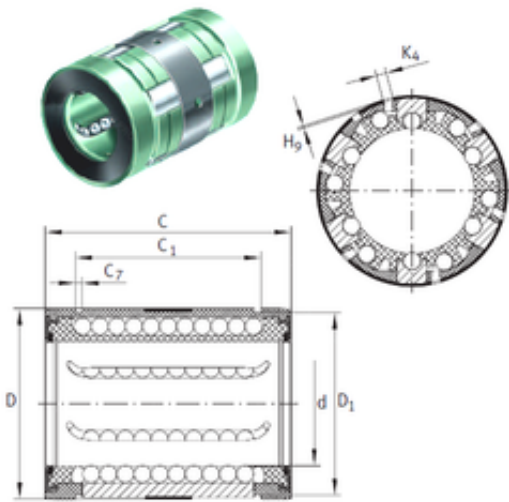




BEARING de Mexico?S.A.

INA KN 12 B-PP Linear bearings

Bearing No. KN 12 B-PP



KN 12 B-PP Bearing 2D drawings and 3D CAD models

Size	12x22x32 mm
Bore Diameter	12 mm
Outer Diameter	22 mm
Width	32 mm
d	12 mm
D	22 mm
C	32 mm
C7	1,3 mm
H9	0,7 mm
K4	3 mm
b1	1,5 mm
C1	22,6 mm
D1	21 mm