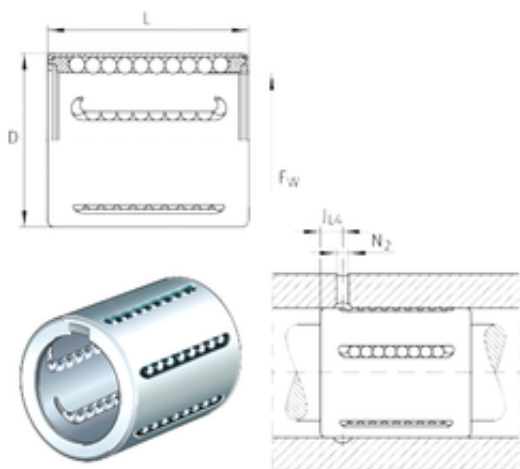




# BEARING de Mexico?S.A.

## INA KH20 Linear bearings

Bearing No. KH20



Bore Diameter	20 mm
Outer Diameter	28 mm
Fw	20 mm
D	28 mm
N2	2,5 mm
L	30 mm
JL4	7 mm
Weight	0,0325 Kg
Basic dynamic load rating (C)	1,17 kN

KH20 Bearing 2D drawings and 3D CAD models