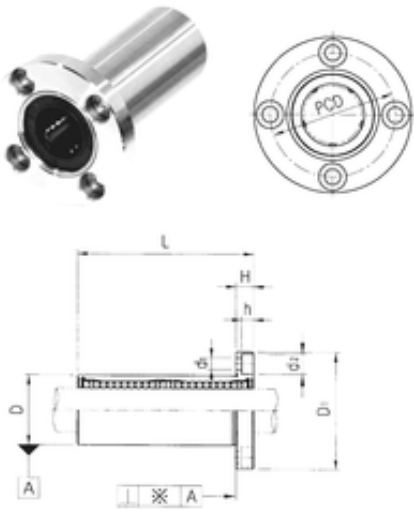




# BEARING de Mexico?S.A.



LMEF25L Bearing 2D drawings and 3D CAD models

## Samick LMEF25L Linear bearings

Bearing No. LMEF25L

Bore Diameter	25 mm
Outer Diameter	40 mm
d	25 mm
D	40 mm
d1	5,5 mm
d2	9,5 mm
h	5,4 mm
D1	62 mm
H	8 mm
L	112 mm
PCD	51 mm
Tolerance perpendicularity (C)	17
Weight	0,515 Kg
Basic dynamic load rating (C)	1,56 kN