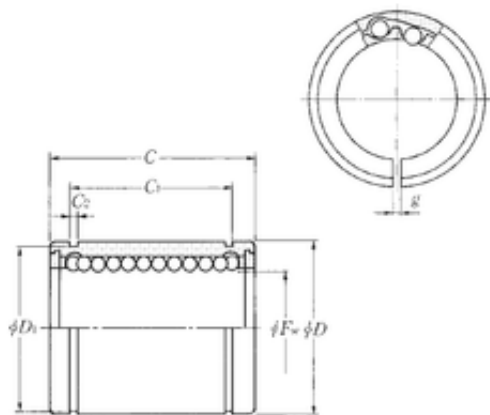




BEARING de Mexico?S.A.

NTN KLM35S Linear bearings

Bearing No. KLM35S



Size	35x52x70 mm
Bore Diameter	35 mm
Outer Diameter	52 mm
Width	70 mm
Fw	35 mm
D	52 mm
C	70 mm
g	1,2 mm
C1	49,2 mm
D1	49 mm
C2	2,2 mm
Weight	0,4 Kg
Basic dynamic load rating (C)	3 400 kN

KLM35S Bearing 2D drawings and 3D CAD models