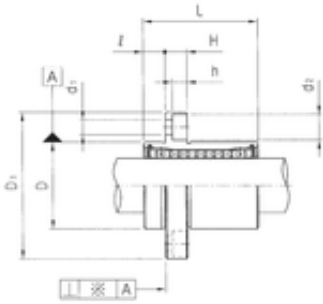




BEARING de Mexico?S.A.



LMEFP40 Bearing 2D drawings and 3D CAD models

Samick LMEFP40 Linear bearings

Bearing No. LMEFP40

| | |
|--------------------------------|------------------|
| Bore Diameter | 40 mm |
| Outer Diameter | 62 mm |
| d | 40 mm |
| D | 62 mm |
| d1 | 14 mm |
| d2 | 8,6 mm |
| h | 13 mm |
| D1 | 98 mm |
| H | 80 mm |
| L | 80 mm |
| PCD | 9 mm |
| | 13 Tolerance h14 |
| Tolerance perpendicularity (C) | 20 |
| Weight | 1,185 Kg |
| Basic dynamic load rating (C) | 2,15 kN |