

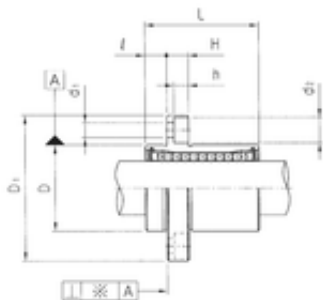


# BEARING de Mexico?S.A.



## Samick LMFP60UU Linear bearings

Bearing No. LMFP60UU



LMFP60UU Bearing 2D drawings and 3D CAD models

Bore Diameter	60 mm
Outer Diameter	90 mm
d	60 mm
D	90 mm
d1	11 mm
d2	17,5 mm
h	10,8 mm
D1	134 mm
H	18 mm
L	110 mm
PCD	112 mm
	18 Tolerance h14
Tolerance perpendicularity (C)	25
Weight	2,96 Kg
Basic dynamic load rating (C)	4,7 kN