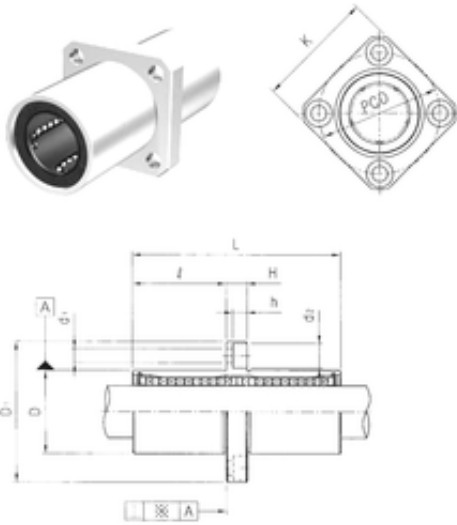




# BEARING de Mexico?S.A.



LMKM20 Bearing 2D drawings and 3D CAD models

## Samick LMKM20 Linear bearings

Bearing No. LMKM20

Bore Diameter	20 mm
Outer Diameter	32 mm
d	20 mm
D	32 mm
d1	5,5 mm
d2	9,5 mm
h	5,4 mm
D1	54 mm
H	8 mm
K	42 mm
L	80 mm
PCD	43 mm
	36 Tolerance h14
Tolerance perpendicularity (C)	20
Weight	0,26 Kg
Basic dynamic load rating (C)	1,4 kN