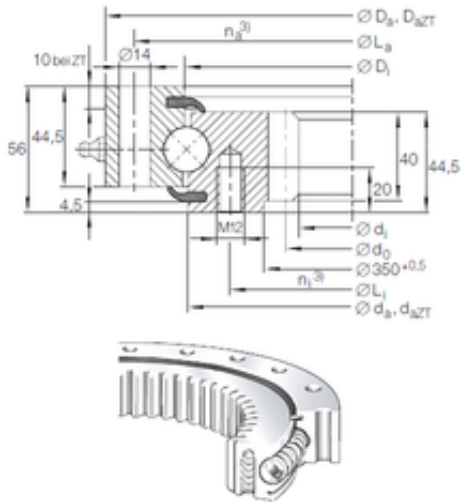




BEARING de Mexico?S.A.



VSI 20 0414 N Bearing 2D drawings and 3D CAD models

INA VSI 20 0414 N Impulse ball bearings

Bearing No. VSI 20 0414 N

Bore Diameter	325 mm
Outer Diameter	486 mm
d	325 mm
D	486 mm
Da	486 mm
Z	67 mm
m	5 mm
di	325 mm
Di	415,5 mm
da	412,5 mm
La	460 mm
na	24 mm
ni	24 mm
Li	375 mm
d0	335 mm
DaZT	484 mm
daZT	411 mm
Weight	31 Kg
Dynamic load rating radial (C)	111 kN
Dynamic load rating axial (C)	169 kN
Static load rating radial (C0)	248 kN