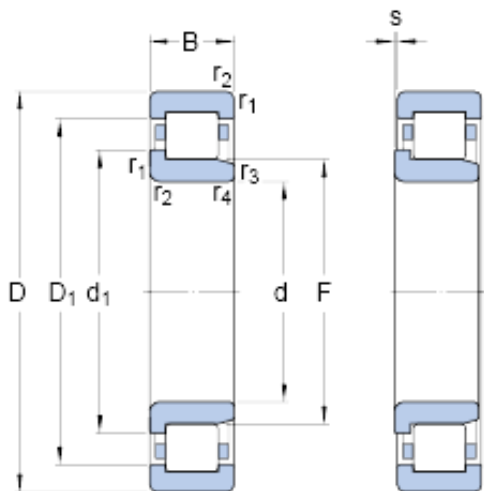




## BEARING de Mexico?S.A.



### 100 mm x 215 mm x 47 mm SKF NJ 320 ECP Impulse ball bearings

Bearing No. NJ 320 ECP

Size	215x100x47 mm
Bore Diameter	215 mm
Outer Diameter	100 mm
Width	47 mm
d	100 mm
D	215 mm
B	47 mm
d <sub>1</sub>	139 mm
D <sub>1</sub>	181.1 mm
F	127.5 mm
r <sub>1,2</sub> - min.	3 mm
r <sub>3,4</sub> - min.	3 mm
s	2.9 mm
d <sub>a</sub> - min.	114 mm
d <sub>a</sub> - max.	124 mm
d <sub>b</sub> - min.	142 mm
D <sub>a</sub> - max.	199.6 mm
r <sub>a</sub> - max.	2.5 mm
Basic dynamic load rating - C	450 kN
Basic static load rating - C <sub>0</sub>	440 kN
Fatigue load limit - P <sub>u</sub>	51 kN
Reference speed	3200 r/min
Limiting speed	3800 r/min
Calculation factor - k <sub>r</sub>	0.15

NJ 320 ECP Bearing 2D drawings and 3D CAD models



## BEARING de Mexico?S.A.

Category	Bearings
Inventory	0.0
Manufacturer Name	SKF
Minimum Buy Quantity	N/A
Weight / Kilogram	7.785
Product Group	B04144
$d_1$	139 mm
$D_1$	181.25 mm
$r_{1,2}$ min.	3 mm
$r_{3,4}$ min.	3 mm
s max.	2.9 mm
$d_a$ min.	114 mm
$d_a$ max.	124 mm
$d_b$ min.	142 mm
$D_a$ max.	199.6 mm
$r_a$ max.	2.5 mm
Basic dynamic load rating C	450 kN
Basic static load rating $C_0$	440 kN
Fatigue load limit $P_u$	51 kN
Calculation factor $k_r$	0.15
Limiting value e	0.2
Axial load factor Y	0.6
Mass bearing	7.73 kg