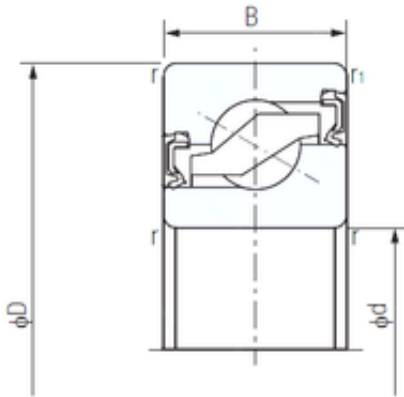




BEARING de Mexico?S.A.

30 mm x 62 mm x 15 mm NACHI
30TAB06-2LR Impulse ball bearings

Bearing No. 30TAB06-2LR



30TAB06-2LR Bearing 2D drawings and 3D CAD models

Size	30x62x15 mm
Bore Diameter	30 mm
Outer Diameter	62 mm
Width	15 mm
d	30 mm
D	62 mm
B	15 mm
C	15 mm
Angle (°)	60 °
r min.	1 mm
r1 min.	0,6 mm
Weight	0,21 Kg
Basic dynamic load rating (C)	29,9 kN
Basic static load rating (C0)	46,4 kN
Bore Type	Cylindrical Bore
Enclosure	Double Seal
Configuration	Single Row
Bore Size	30 mm
Outside Diameter	62 mm
Width	15 mm
Fillet Radius/Chamfer	1 mm
r1	0.6 mm
2B	30 mm
Dynamic Load Rating	29,900 N
Static Load Rating	46,400 N



BEARING de Mexico?S.A.

Limiting Speed - Oil	3,250 rpm
Da1	47.5 mm
Da2	54.9 mm
da1	46.2 mm
da2	39.7 mm