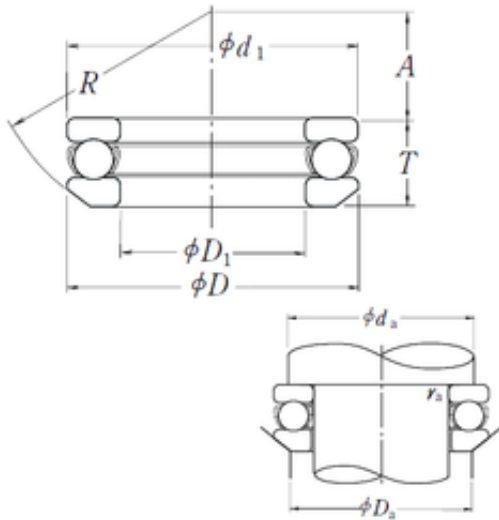




BEARING de Mexico?S.A.



NSK 53310 Impulse ball bearings

Bearing No. 53310

Size	50x95x34.3 mm
Bore Diameter	50 mm
Outer Diameter	95 mm
Width	34,3 mm
d	50 mm
D	95 mm
T	34,3 mm
d1	95 mm
r min.	1,1 mm
A	28 mm
D1	52 mm
R	72 mm
da min.	77 mm
Da max.	68 mm
ra max.	1 mm
Weight	1,01 Kg
Basic dynamic load rating (C)	97,5 kN
Basic static load rating (C0)	202 kN
(Grease) Lubrication Speed	1800 r/min
Category	Thrust Ball Bearing
Inventory	0.0
Manufacturer Name	NSK
Minimum Buy Quantity	N/A
Weight / Kilogram	1.24
EAN	0029176029639
Product Group	B00308

53310 Bearing 2D drawings and 3D CAD models



BEARING de Mexico?S.A.

Rolling Element	Ball Bearing
Thrust Bearing	Yes
Single or Double Direction	Single Direction
Banded	No
Cage Material	Steel
Precision Class	Non-Precision
Component Description	Roller Assembly Plus Raceways
Other Features	Single Row With Aligning Seat
Long Description	50MM Bore 1; 52MM Bore 2; 95MM Outside Diameter; 34MM Height; Ball Bearing; Single Direction; Not Banded; Steel Cage; Non-Precision
Inch - Metric	Metric
Category	Thrust Ball Bearings
UNSPSC	31171552
Harmonized Tariff Code	8482.10.50.08
Noun	Bearing
Keyword String	Ball Thrust
Manufacturer URL	http://www.nskamericas.com
Manufacturer Item Number	53310
Weight / LBS	2.22667
Height	1.339 Inch 34 Millimeter
Bore 1	1.969 Inch 50 Millimeter
Outside Diameter	3.74 Inch 95 Millimeter
Bore 2	2.047 Inch 52 Millimeter
Overall Height with Aligning Washer	0 Inch 0 Millimeter
bore diameter:	50 mm
static load capacity:	45500 lbf
outside diameter:	95 mm



BEARING de Mexico?S.A.

dynamic load capacity:	21900 lbf
overall width:	37 mm
operating temperature range:	Maximum of +120 ° C
thrust bearing type:	Single-Direction
maximum rpm:	2800 rpm
outside diameter design:	Straight
cage material:	Steel Cage
separable or banded:	Separable
fillet radius:	1.1 mm
race type:	Flat
series:	52300
precision rating:	ABEC1, P0
SRI	8.57
hidYobi	53310
LangID	1
D_	95
SREX	0.065
C	97.5
B_	34.3
hidTable	ecat_NSSDTB
Oil rpm	2800
SRE	8.57
mass	1.01
GRS rpm	1800
ra	1
SRIX	0.065
D_a	68
SRIN	0
C0	202
SREN	0
D_1	52
Prod_Type3	TB_SD_WAS



BEARING de Mexico?S.A.

da	77
DA_	15.875
Z_	13
yobi	53310
A_	28
T3	34.3
SDM_	72.5
r	1.1
KBRG	5121
R_	72