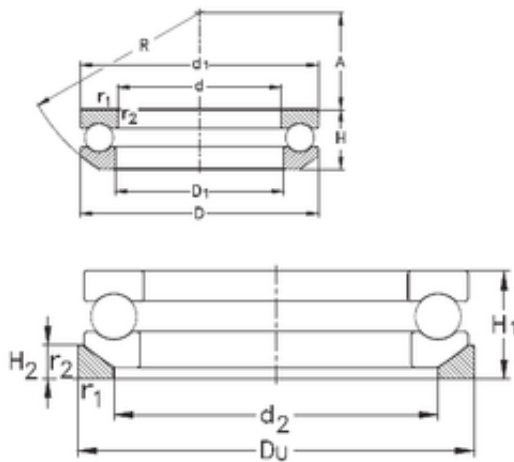




## BEARING de Mexico?S.A.

### NKE 53413-MP+U413 Impulse ball bearings

Bearing No. 53413-MP+U413



53413-MP+U413 Bearing 2D drawings and 3D CAD models

Size	65x140x60.2 mm
Bore Diameter	65 mm
Outer Diameter	140 mm
Width	60,2 mm
d	65 mm
D	140 mm
H	60,2 mm
d1	140 mm
d2	100 mm
r1 min.	2 mm
r2 min.	2 mm
A	40 mm
D1	68 mm
H1	65 mm
H2	17,5 mm
R	112 mm
Weight	5,86 Kg
Basic dynamic load rating (C)	216 kN
Basic static load rating (C0)	450 kN