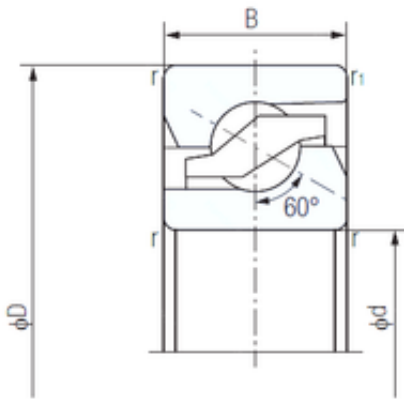




## BEARING de Mexico?S.A.

### 40 mm x 72 mm x 15 mm NACHI 40TAB07 Impulse ball bearings

Bearing No. 40TAB07



40TAB07 Bearing 2D drawings and 3D CAD models

Size	40x72x15 mm
Bore Diameter	40 mm
Outer Diameter	72 mm
Width	15 mm
d	40 mm
D	72 mm
B	15 mm
C	15 mm
Angle ( ° )	60 °
r min.	1 mm
r1 min.	0,6 mm
Weight	0,26 Kg
Basic dynamic load rating (C)	32,5 kN
Basic static load rating (C0)	54,3 kN
(Grease) Lubrication Speed	3750 r/min
Enclosure	Open
Configuration	Single Row
Bore Type	Cylindrical Bore
Bore Size	40 mm
Outside Diameter	72 mm
Width	15 mm
Fillet Radius/Chamfer	1 mm
r1	0.6 mm
a	0 mm
2B	30 mm



## BEARING de Mexico?S.A.

Dynamic Load Rating	32,500 N
Static Load Rating	54,300 N
Limiting Speed - Grease	3,750 rpm
Limiting Speed - Oil	5,000 rpm
Starting Torque - Grease Lubrication	25 N · cm
da1 (min)	56.2 mm
da2 (min)	49.7 mm
Da1 (max)	56 mm
Da2 (max)	63.4 mm