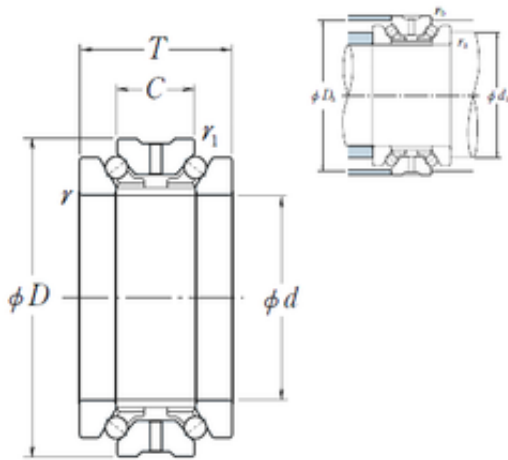




BEARING de Mexico?S.A.

NSK 140TAC29D+L Impulse ball bearings

Bearing No. 140TAC29D+L



140TAC29D+L Bearing 2D drawings and 3D CAD models

Size	140x190x60 mm
Bore Diameter	140 mm
Outer Diameter	190 mm
Width	60 mm
d	140 mm
D	190 mm
T	60 mm
C	30 mm
Angle (°)	60 °
r min.	1,5 mm
r1 min.	1 mm
Da	182 mm
ra max.	1,5 mm
rb max.	1 mm
da	158 mm
Weight	4,2 Kg
Basic dynamic load rating (C)	91,5 kN
Basic static load rating (C0)	365 kN
(Grease) Lubrication Speed	2800 r/min