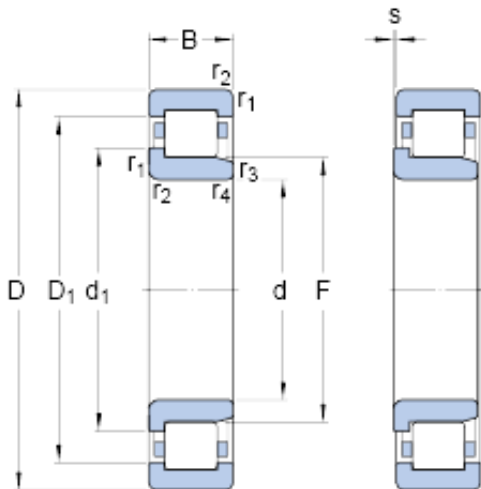




BEARING de Mexico?S.A.



110 mm x 200 mm x 38 mm SKF NJ 222 ECML
Impulse ball bearings

Bearing No. NJ 222 ECML

NJ 222 ECML Bearing 2D drawings and 3D CAD models

Size	200x110x38 mm
Bore Diameter	200 mm
Outer Diameter	110 mm
Width	38 mm
d	110 mm
D	200 mm
B	38 mm
d ₁	141 mm
D ₁	173.3 mm
F	132.5 mm
r _{1,2} - min.	2.1 mm
r _{3,4} - min.	2.1 mm
s	2.1 mm
d _a - min.	122 mm
d _a - max.	129 mm
d _b - min.	144 mm
D _a - max.	187 mm
r _a - max.	2 mm
Basic dynamic load rating - C	335 kN
Basic static load rating - C ₀	365 kN
Fatigue load limit - P _u	42.5 kN
Reference speed	3600 r/min
Limiting speed	6000 r/min
Calculation factor - k _r	0.23



BEARING de Mexico?S.A.

d_1	141 mm
D_1	173.3 mm
$r_{1,2}$ min.	2.1 mm
$r_{3,4}$ min.	2.1 mm
s max.	2.1 mm
d_a min.	122 mm
d_a max.	129 mm
d_b min.	144 mm
D_a max.	187 mm
r_a max.	2 mm
Basic dynamic load rating C	335 kN
Basic static load rating C_0	365 kN
Fatigue load limit P_u	42.5 kN
Calculation factor k_r	0.23
Limiting value e	0.2
Axial load factor Y	0.6
Mass bearing	5.32 kg