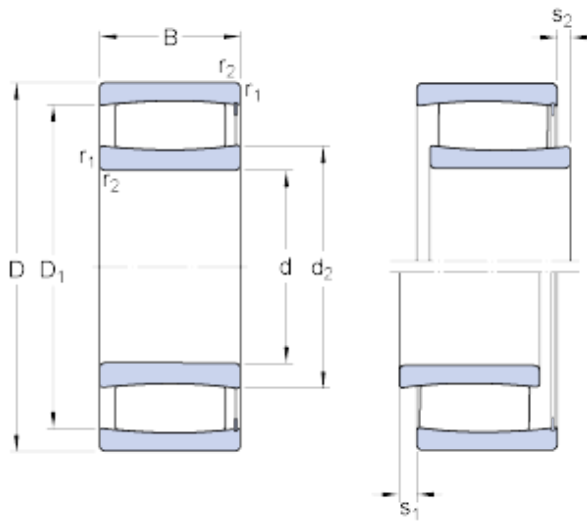




BEARING de Mexico?S.A.



190 mm x 320 mm x 128 mm SKF C 4138 V Cylindrical roller bearings

Bearing No. C 4138 V

C 4138 V Bearing 2D drawings and 3D CAD models

Size	320x190x128 mm
Bore Diameter	320 mm
Outer Diameter	190 mm
Width	128 mm
d	190 mm
D	320 mm
B	128 mm
d ₂	222 mm
D ₁	284 mm
s ₁	20 mm
s ₂	10.1 mm
r _{1,2} - min.	3 mm
d _a - min.	204 mm
d _a - max.	233 mm
D _a - max.	306 mm
r _a - max.	2.5 mm
Basic dynamic load rating - C	1630 kN
Basic static load rating - C ₀	2464 kN
Fatigue load limit - P _u	244 kN
Limiting speed	130 r/min
Factor - k ₁	0.104
Factor - k ₂	0.103