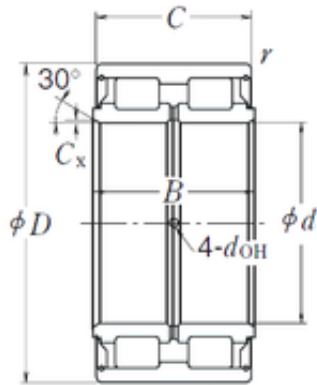




BEARING de Mexico?S.A.



190 mm x 290 mm x 136 mm NSK RS-5038 Cylindrical roller bearings

Bearing No. RS-5038

Size	190x290x136 mm
Bore Diameter	190 mm
Outer Diameter	290 mm
Width	136 mm
d	190 mm
D	290 mm
B	136 mm
C	135 mm
r min.	1,1 mm
C2	1,3 mm
Weight	32 Kg
Basic dynamic load rating (C)	1120 kN
Basic static load rating (C0)	2230 kN
hidYobi	RS-5038
LangID	1
D_	290
B_	136
hidTable	ecat_NSCLDRSG
Cx	1.3
mass	32
GRS rpm	500
da_min	197
C0	2230
DE_	267
Prod_Type3	CRB_FRFS_PT_WOLR

RS-5038 Bearing 2D drawings and 3D CAD models



BEARING de Mexico?S.A.

DA_	26
Z_	29
r_min	1.1
yobi	RS-5038
SDM_	241
r	135
KBRG	4220
DI_	215
doh	6