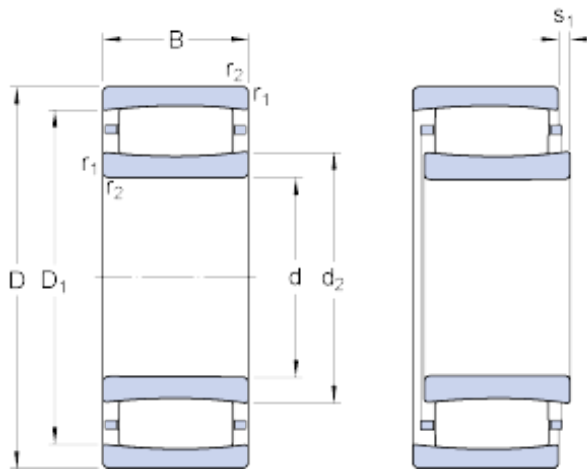




BEARING de Mexico?S.A.



560 mm x 920 mm x 280 mm SKF C 31/560 MB Cylindrical roller bearings

Bearing No. C 31/560 MB

Size	920x560x280 mm
Bore Diameter	920 mm
Outer Diameter	560 mm
Width	280 mm
d	560 mm
D	920 mm
B	280 mm
d ₂	660 mm
D ₁	808 mm
s ₁	24.5 mm
r _{1,2} - min.	7.5 mm
d _a - min.	592 mm
d _a - max.	659 mm
D _a - min.	769 mm
D _a - max.	888 mm
C _a - min.	10.7 mm
r _a - max.	6 mm
Basic dynamic load rating - C	9150 kN
Basic static load rating - C ₀	16300 kN
Fatigue load limit - P _u	1040 kN
Reference speed	480 r/min
Limiting speed	670 r/min
Factor - k ₁	
Factor - k ₂	0.1

C 31/560 MB Bearing 2D drawings and 3D CAD models



BEARING de Mexico?S.A.