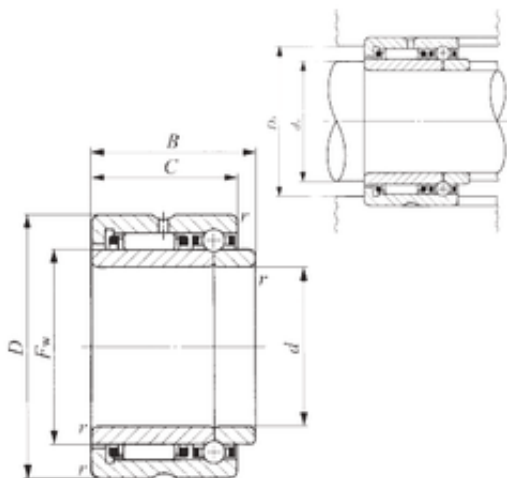




BEARING de Mexico?S.A.

30 mm x 47 mm x 25 mm IKO NATB 5906
Complex bearings

Bearing No. NATB 5906



NATB 5906 Bearing 2D drawings and 3D CAD models

Size	30x47x25 mm
Bore Diameter	30 mm
Outer Diameter	47 mm
Width	25 mm
d	30 mm
Fw	35 mm
D	47 mm
B	25 mm
C	23 mm
r min.	0,3 mm
da min.	32 mm
Da max.	45 mm
Weight	0,157 Kg
Dynamic load rating radial (C)	17,7 kN
Dynamic load rating axial (C)	4,55 kN
Static load rating radial (C0)	26,8 kN
Static load rating axial (C0)	8,46 kN