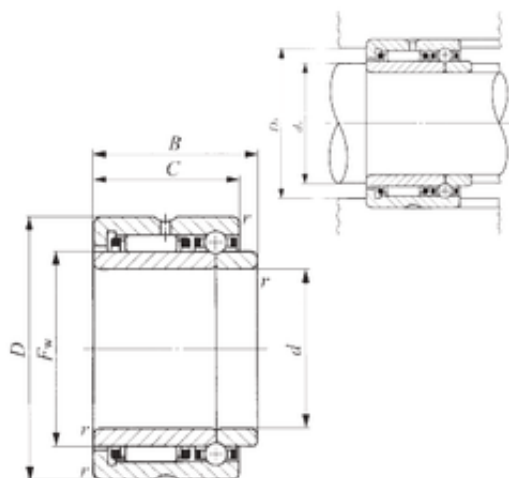




BEARING de Mexico?S.A.



NATB 5911 Bearing 2D drawings and 3D CAD models

55 mm x 80 mm x 38 mm IKO NATB 5911
Complex bearings

Bearing No. NATB 5911

Size	55x80x38 mm
Bore Diameter	55 mm
Outer Diameter	80 mm
Width	38 mm
d	55 mm
Fw	63 mm
D	80 mm
B	38 mm
C	34 mm
r min.	1 mm
da min.	60 mm
Da max.	75 mm
Weight	0,615 Kg
Dynamic load rating radial (C)	39,5 kN
Dynamic load rating axial (C)	10,4 kN
Static load rating radial (C0)	74,4 kN
Static load rating axial (C0)	24,7 kN