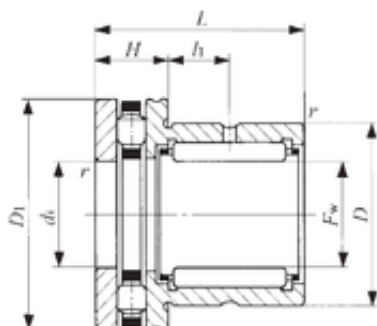




BEARING de Mexico?S.A.

IKO NBX 5035 Complex bearings



Bearing No. NBX 5035

Bore Diameter	50 mm
Outer Diameter	62 mm
Fw	50 mm
D	62 mm
D1	70 mm
d1	50 mm
r min.	0,6 mm
H	14 mm
L	35 mm
L1	10 mm
da min.	67 mm
Weight	0,315 Kg
Dynamic load rating radial (C)	42,2 kN
Dynamic load rating axial (C)	43,3 kN
Static load rating radial (C0)	83,4 kN
Static load rating axial (C0)	148 kN

NBX 5035 Bearing 2D drawings and 3D CAD models