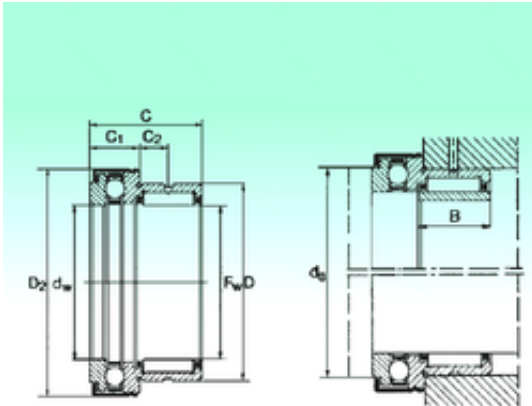




BEARING de Mexico?S.A.



NKX 12 Z Bearing 2D drawings and 3D CAD models

NBS NKX 12 Z Complex bearings

Bearing No. NKX 12 Z

Size	12x21x23 mm
Bore Diameter	12 mm
Outer Diameter	21 mm
Width	23 mm
d	12 mm
Fw	12 mm
D	21 mm
C	23 mm
C1	9 mm
D1	26,1 mm
D2	27,2 mm
C2	6,5 mm
da	21,7 mm
Weight	0,04 Kg
Dynamic load rating radial (C)	8,5 kN
Dynamic load rating axial (C)	10 kN
Static load rating radial (C0)	10,5 kN
Static load rating axial (C0)	15 kN