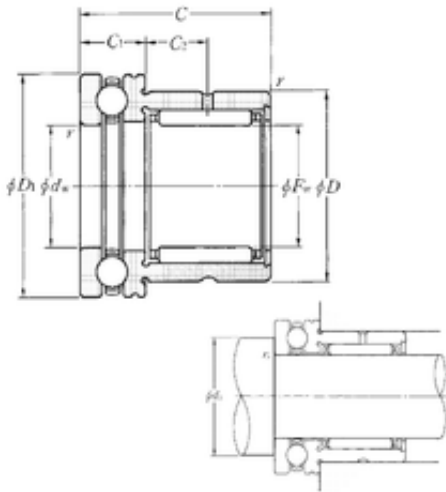




BEARING de Mexico?S.A.



NKX17T2 Bearing 2D drawings and 3D CAD models

NTN NKX17T2 Complex bearings

Bearing No. NKX17T2

Bore Diameter	17 mm
Outer Diameter	30 mm
d	17 mm
Fw	17 mm
D	26 mm
D1	30 mm
C	25 mm
r min.	0,3 mm
C1	9 mm
da min.	25 mm
ra max.	0,3 mm
C2	8 mm
Weight	0,051 Kg
Dynamic load rating radial (C)	10,4 kN
Dynamic load rating axial (C)	10,8 kN
Static load rating radial (C0)	14,4 kN
Static load rating axial (C0)	18,2 kN
(Grease) Lubrication Speed	6000 r/min
dw	17 mm
rs min	0.3 mm
Dw	2 mm
Dw1	4.76 mm
Lw	11.8 mm
Lubrication hole on outer ring	Oui/Yes



BEARING de Mexico?S.A.

k	2.5 mm
Precision class	P0
Mass	0.05 kg
Cr	10.4 kN
Ca	10.8 kN
C0r	14.4 kN
C0a	18.2 kN
Nlim (grease)	6,000 rpm
Nlim (oil)	8,500 rpm
Min operating temperature, Tmin	-20 ° C
Max operating temperature, Tmax	120 ° C
da min	25 mm
ras max	0.3 mm
Category	Bearings
Inventory	0.0
Manufacturer Name	NTN
Minimum Buy Quantity	N/A
Weight / Kilogram	0
Product Group	B04144