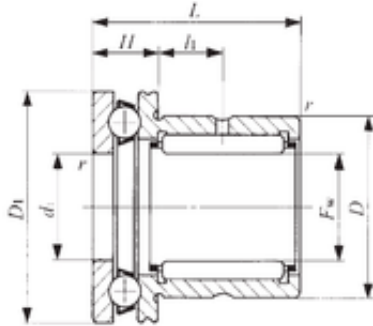




## BEARING de Mexico?S.A.

### IKO NAX 3530 Complex bearings



Bearing No. NAX 3530

Bore Diameter	35 mm
Outer Diameter	47 mm
Fw	35 mm
D	47 mm
D1	52 mm
d1	35 mm
r min.	0,6 mm
H	12 mm
L	30 mm
L1	9 mm
da min.	45 mm
Weight	0,169 Kg
Dynamic load rating radial (C)	26,9 kN
Dynamic load rating axial (C)	21,2 kN
Static load rating radial (C0)	46,2 kN
Static load rating axial (C0)	37,6 kN

NAX 3530 Bearing 2D drawings and 3D CAD models