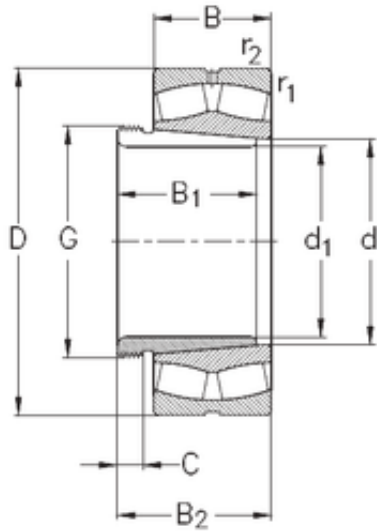




## BEARING de Mexico?S.A.



600 mm x 980 mm x 375 mm NKE  
241/600-K30-MB-W33+AH241/600 Bearing  
spherical bearings

Bearing No. 241/600-K30-MB-W33+AH241/600

241/600-K30-MB-W33+AH241/600 Bearing 2D  
drawings and 3D CAD models

Size	600x980x375 mm
Bore Diameter	600 mm
Outer Diameter	980 mm
Width	375 mm
d	600 mm
d1	560 mm
D	980 mm
B	375 mm
C	375 mm
r1 min.	7,5 mm
r2 min.	7,5 mm
B1	413 mm
B2	439 mm
C	38 mm
Thread (G)	Tr 630x6
Weight	1300 Kg
Basic dynamic load rating (C)	11631 kN
Basic static load rating (C0)	24141 kN
Limiting speed	480 r/min
Calculation factor (e)	0,37
Calculation factor (Y0)	1,76
Calculation factor (Y1)	1,8