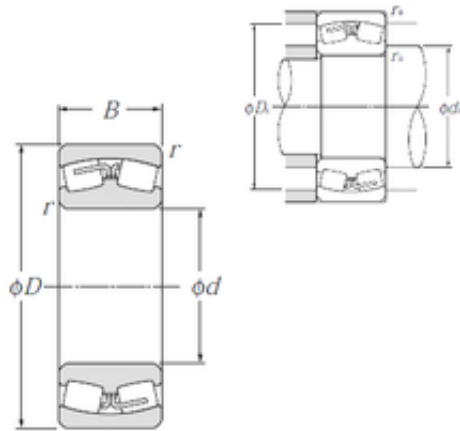




BEARING de Mexico?S.A.

120 mm x 180 mm x 60 mm NTN 24024C

Bearing spherical bearings



Bearing No. 24024C

Size	120x180x60 mm
Bore Diameter	120 mm
Outer Diameter	180 mm
Width	60 mm
d	120 mm
D	180 mm
B	60 mm
C	60 mm
r min.	2 mm
da min.	130 mm
Da max.	170 mm
ra max.	2 mm
Weight	5,48 Kg
Basic dynamic load rating (C)	395 kN
Basic static load rating (C0)	695 kN
(Grease) Lubrication Speed	1 800 r/min
(Oil) Lubrication Speed	2 300 r/min
Calculation factor (e)	0,32
Calculation factor (Y0)	2,07
Calculation factor (Y1)	2,12

24024C Bearing 2D drawings and 3D CAD models