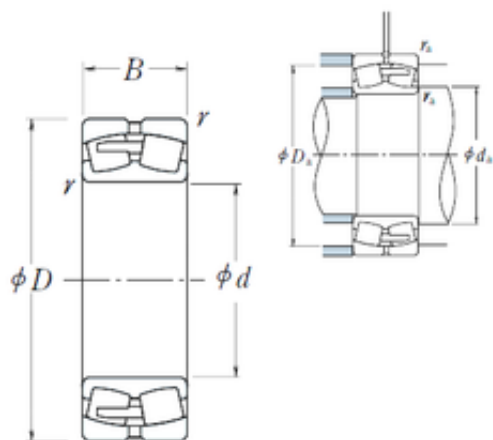




BEARING de Mexico?S.A.



300 mm x 460 mm x 118 mm NSK 23060CAE4
Bearing spherical bearings

Bearing No. 23060CAE4

23060CAE4 Bearing 2D drawings and 3D CAD models

Size	300x460x118 mm
Bore Diameter	300 mm
Outer Diameter	460 mm
Width	118 mm
d	300 mm
D	460 mm
B	118 mm
C	118 mm
r min.	4 mm
da min.	318 mm
Da min	413 mm
Da max.	442 mm
ra max.	3 mm
Weight	70,5 Kg
Basic dynamic load rating (C)	1920 kN
Basic static load rating (C0)	3700 kN
(Grease) Lubrication Speed	670 r/min
(Oil) Lubrication Speed	850 r/min
Calculation factor (e)	0,24
Calculation factor (Y0)	2,7
Calculation factor (Y2)	4,2