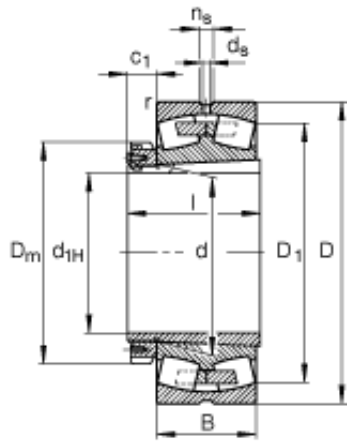




BEARING de Mexico?S.A.



670 mm x 900 mm x 170 mm FAG 239/670-B-K-MB + H39/670-HG Bearing spherical bearings

Bearing No. 239/670-B-K-MB + H39/670-HG

239/670-B-K-MB + H39/670-HG Bearing 2D drawings and 3D CAD models

Size	630x900x170 mm
Bore Diameter	630 mm
Outer Diameter	900 mm
Width	170 mm
d_{1H}	630 mm
D	900 mm
B	170 mm
$B_{a \min}$	20 mm
c	80 mm
c_1	101 mm
D_1	831,5 mm
$D_{a \max}$	877 mm
D_m	780 mm
d	670 mm
$d_{a \max}$	730 mm
$d_{b \min}$	689 mm
d_s	12,5 mm
l	264 mm
n_s	23,5 mm
$r_{a \max}$	5 mm
r_{\min}	6 mm
- H39/670-HG / Adapter sleeve	H39/670HG / Adapter sleeve
m	310 kg / Weight



BEARING de Mexico?S.A.

m_1	166 kg
C_r	4300000 N / Dynamic load rating (radial)
e	0,17
Y_1	3,95
Y_2	5,88
C_{0r}	10600000 N / Static load rating (radial)
Y_0	3,86
n_G	710 1/min / Limiting speed
n_B	750000 N / Fatigue limit load, radial