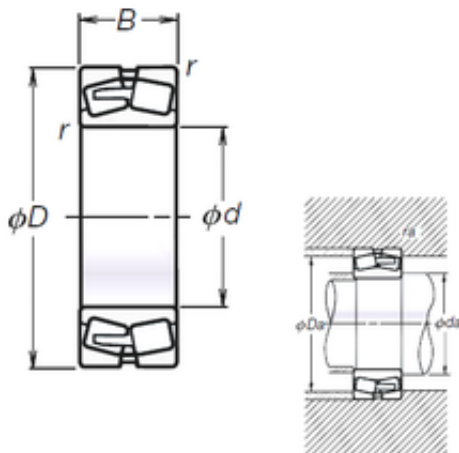




BEARING de Mexico?S.A.



65 mm x 140 mm x 48 mm NSK TL22313EAE4
Bearing spherical bearings

Bearing No. TL22313EAE4

Size	65x140x48 mm
Bore Diameter	65 mm
Outer Diameter	140 mm
Width	48 mm
d	65 mm
D	140 mm
B	48 mm
C	48 mm
r min.	2,1 mm
da min.	77 mm
da max	84 mm
Da min	128 mm
Da max.	119 mm
ra max.	2 mm
Weight	3,52 Kg
Basic dynamic load rating (C)	375 kN
Basic static load rating (C0)	380 kN
(Grease) Lubrication Speed	3 200 r/min
(Oil) Lubrication Speed	4 000 r/min
Calculation factor (e)	0,33
Calculation factor (Y0)	2
Calculation factor (Y2)	3

TL22313EAE4 Bearing 2D drawings and 3D CAD models