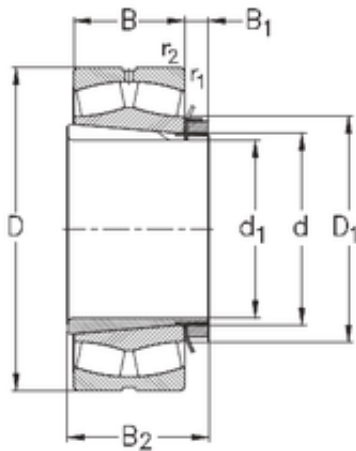




BEARING de Mexico?S.A.

180 mm x 280 mm x 74 mm NKE 23036-K-MB-W33+H3036 Bearing spherical bearings

Bearing No. 23036-K-MB-W33+H3036



23036-K-MB-W33+H3036 Bearing 2D drawings and 3D CAD models

Size	180x280x74 mm
Bore Diameter	180 mm
Outer Diameter	280 mm
Width	74 mm
d	180 mm
d1	160 mm
D	280 mm
B	74 mm
C	74 mm
r1 min.	2,1 mm
r2 min.	2,1 mm
B1	30 mm
B2	109 mm
D1	210 mm
Weight	22,5 Kg
Basic dynamic load rating (C)	725 kN
Basic static load rating (C0)	1230 kN
Limiting speed	2600 r/min
Calculation factor (e)	0,26
Calculation factor (Y0)	2,5
Calculation factor (Y1)	2,6