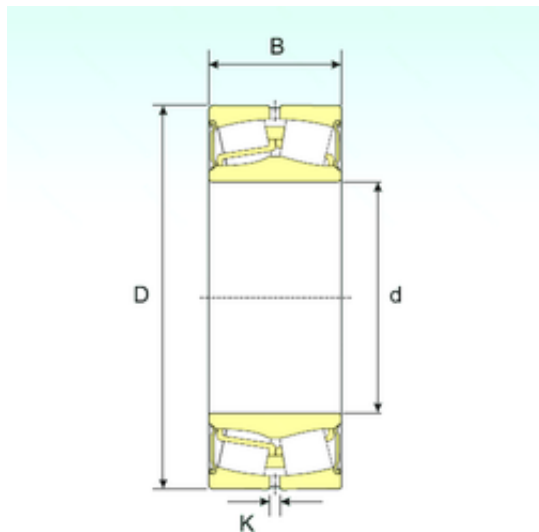




BEARING de Mexico?S.A.



110 mm x 180 mm x 69 mm ISB 24122-2RS
Bearing spherical bearings

Bearing No. 24122-2RS

Size	110x180x69 mm
Bore Diameter	110 mm
Outer Diameter	180 mm
Width	69 mm
d	110 mm
D	180 mm
B	69 mm
C	69 mm
K	3 mm
Weight	6,85 Kg
Basic dynamic load rating (C)	509,6 kN
Basic static load rating (C0)	735 kN

24122-2RS Bearing 2D drawings and 3D CAD models