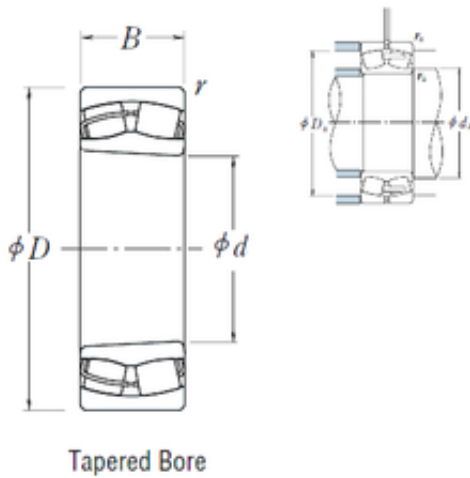




BEARING de Mexico?S.A.



200 mm x 340 mm x 112 mm NSK 23140CKE4
Bearing spherical bearings

Bearing No. 23140CKE4

23140CKE4 Bearing 2D drawings and 3D CAD models

Size	200x340x112 mm
Bore Diameter	200 mm
Outer Diameter	340 mm
Width	112 mm
d	200 mm
D	340 mm
B	112 mm
C	112 mm
r min.	3 mm
da min.	214 mm
da max	232 mm
Da min	293 mm
Da max.	326 mm
ra max.	2,5 mm
Weight	42,7 Kg
Basic dynamic load rating (C)	1360 kN
Basic static load rating (C0)	2330 kN
(Grease) Lubrication Speed	800 r/min
(Oil) Lubrication Speed	1000 r/min
Calculation factor (e)	0,31
Calculation factor (Y0)	2,1
Calculation factor (Y2)	3,2
Category	Spherical Roller Bearings
Inventory	0.0
Manufacturer Name	NSK



BEARING de Mexico?S.A.

Minimum Buy Quantity	N/A
Weight / Kilogram	45
Product Group	B04311
Internal Clearance	C0-Medium
Mounting Method	Adapter Mount
Rolling Element	Spherical Roller Bearing
Bore Profile	Tapered
Cage Material	Steel
Enclosure	Open
Number of Rows of Rollers	Double Row
Relubricatable	Yes
Withdrawal Sleeve	AH3140 (Specify bore)
Inch - Metric	Metric
Long Description	200MM Tapered Bore; 340MM Outside Diameter; 112MM Width; C0-Medium Clearance; Adapter Mount; Double Row of Spherical Roller Bearings; Steel Cage Material; Open Enclosure; Relubricatable; Adapter Part
Other Features	Order adapter or withdrawal sleeve or nut separately. Others may be available
Category	Spherical Roller Bearing
UNSPSC	31171510
Harmonized Tariff Code	84823080
Noun	Bearing
Keyword String	Spherical
Manufacturer URL	http://www.nskamericas.com
Manufacturer Item Number	23140CKE4
Weight / LBS	50
Bore	7.874 Inch 200 Millimeter



BEARING de Mexico?S.A.

Outside Diameter	13.386 Inch 340 Millimeter
Width	4.409 Inch 112 Millimeter
Adapter Part Number	SNW3140 H3140 HA3140 (Specify bore) Inch H3140 (Specify bore) Millimeter
Y3	2.2
hidYobi	23140CKE4
LangID	1
Y1	2.1
D_	340
Y2	3.2
Macha rpm	0
B_	112
da min	214
hidTable	ecat_NSSPHR
Oil rpm	1000
Y0	2.1
mass	42.6
GRS rpm	800
ra	2.5
TSR rpm	1500
C0	2330
DE_	305.554
X0	1
Prod_Type3	SRB_CTB_TB
X1	1
X2	0.67
SIR	45
e	0.31
DA_	34
bomp	23140CKE4
Z_	21
ALP2	40



BEARING de Mexico?S.A.

ALP1	11
ALP3	0
D_a max	326
D_a min	293
yobi	23140CKE4
ALPHA_	0.204
SDM_	272.257
r	3
KBRG	2322
SBRG	31
DI_	238.959