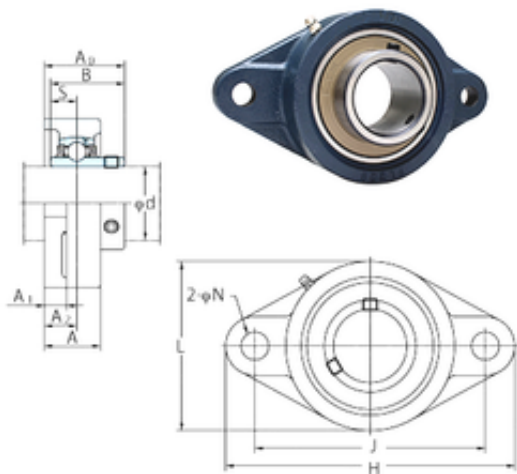




BEARING de Mexico?S.A.

FYH UCFL204-12E Ball bearings units

Bearing No. UCFL204-12E



Bore Diameter	19,05 mm
d	19,05 mm
A0	33,3 mm
A	25,5 mm
A1	11 mm
B	31 mm
H	113 mm
J	89,7 mm
L	60 mm
N	10 mm
S	12,7 mm
A2	15 mm
Weight	0,48 Kg
Basic dynamic load rating (C)	12,8 kN
Basic static load rating (C0)	6,65 kN

UCFL204-12E Bearing 2D drawings and 3D CAD models