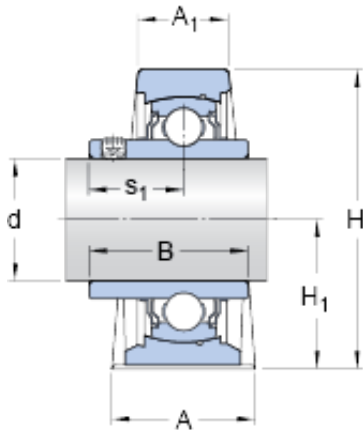




BEARING de Mexico?S.A.



SY 2.3/16 TF/VA201 Bearing 2D drawings and 3D CAD models

SKF SY 2.3/16 TF/VA201 Ball bearings units

Bearing No. SY 2.3/16 TF/VA201

Size	60.4x55.562x40 mm
Bore Diameter	60,4 mm
Outer Diameter	55,562 mm
Width	40 mm
d	55.562 mm
A	60.4 mm
A ₁	40 mm
H	127 mm
H ₁	63.5 mm
H ₂	23.8 mm
L	219.1 mm
J	171.5 mm
H	27.5 mm
N ₁	18 mm
B	55.6 mm
s ₁	33.4 mm
Basic dynamic load rating - C	25 kN
Basic static load rating - C ₀	29 kN
Limiting speed	50 r/min
Limiting temperature - T	250 ° C
Mass bearing unit	3.7 kg
Grub (set) screw - G ₂ - 3/8-24 UNF	3/824 UNF
Hexagonal key size for grub screw - H	4.762 mm



BEARING de Mexico?S.A.

Recommended tightening torque for grub screw	16.5 N · m
A ₁	40 mm
H ₁	63.5 mm
H ₂	23.8 mm
N	27.5 mm
N ₁	18 mm
s ₁	33.4 mm
Basic dynamic load rating C	25 kN
Basic static load rating C ₀	29 kN
Limiting temperature T max.	250 ° C
Grub (set) screw G ₂	3/8-24 UNF
Hexagonal key size for grub screw N	4.763 mm
Attachment bolts, recommended metric size G	16 mm