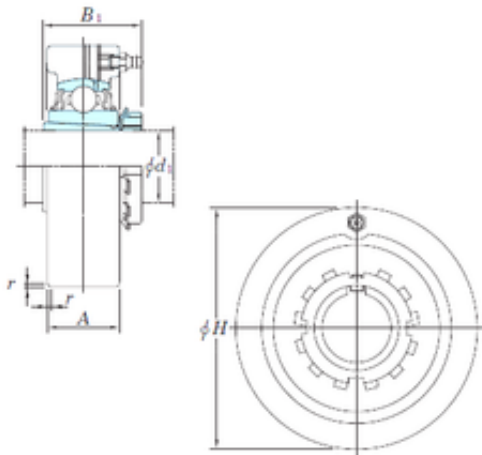




## BEARING de Mexico?S.A.



### KOYO UKC319 Ball bearings units

Bearing No. UKC319

Bore Diameter	85 mm
d	85 mm
r	4 mm
A	72 mm
B1	90 mm
H	240 mm
Weight	16,1 Kg
Basic dynamic load rating (C)	153 kN
Basic static load rating (C0)	119 kN

UKC319 Bearing 2D drawings and 3D CAD models