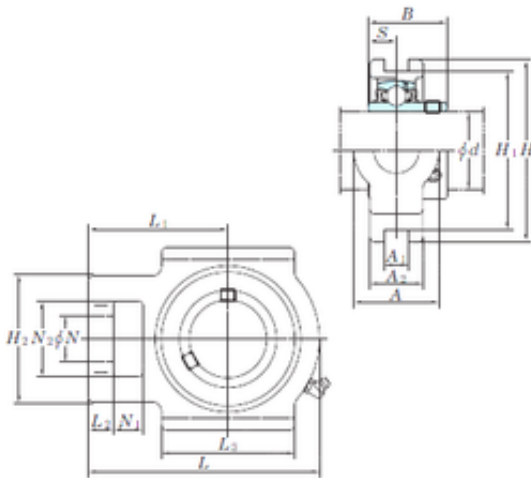




BEARING de Mexico?S.A.

KOYO UCT318 Ball bearings units

Bearing No. UCT318



UCT318 Bearing 2D drawings and 3D CAD models

| | |
|-------------------------------|---------|
| Bore Diameter | 90 mm |
| d | 90 mm |
| L2 | 30 mm |
| L3 | 175 mm |
| A | 110 mm |
| A1 | 32 mm |
| B | 96 mm |
| H | 255 mm |
| H1 | 228 mm |
| H2 | 160 mm |
| L | 312 mm |
| L1 | 192 mm |
| N | 57 mm |
| N1 | 46 mm |
| S | 40 mm |
| A2 | 66 mm |
| N2 | 106 mm |
| Weight | 21,6 Kg |
| Basic dynamic load rating (C) | 143 kN |
| Basic static load rating (C0) | 107 kN |
| Bearing No. | UCT318 |
| Cr | 143 |
| C0r | 107 |
| f0 | 13.3 |
| (Refer.)Unit mass(kg) | 21.6 |
| Nipple size | R1/8 |



BEARING de Mexico?S.A.