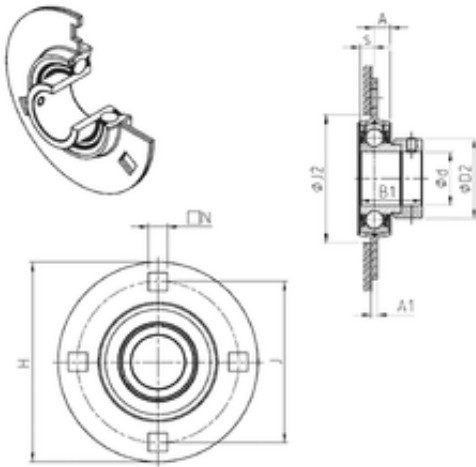




BEARING de Mexico?S.A.



SNR ESPF208 Ball bearings units

Bearing No. ESPF208

Bore Diameter	40 mm
d	40 mm
s	11 mm
A	10 mm
A1	7 mm
B1	43,7 mm
D2	60,3 mm
H	147,8 mm
N	13,5 mm
J1	119 mm
J2	91 mm
Weight	1,6 Kg
Basic dynamic load rating (C)	29,6 kN

ESPF208 Bearing 2D drawings and 3D CAD models