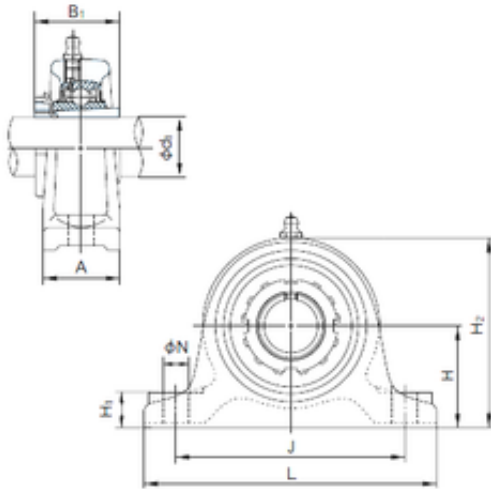




# BEARING de Mexico?S.A.

## NACHI UKIP324+H2324 Ball bearings units

Bearing No. UKIP324+H2324



UKIP324+H2324 Bearing 2D drawings and 3D CAD models

Bore Diameter	110 mm
Width	170 mm
d	110 mm
A	100 mm
B1	112 mm
H	170 mm
H1	50 mm
H2	345 mm
J	430 mm
L	510 mm
N	32 mm
Bolt (G)	M27