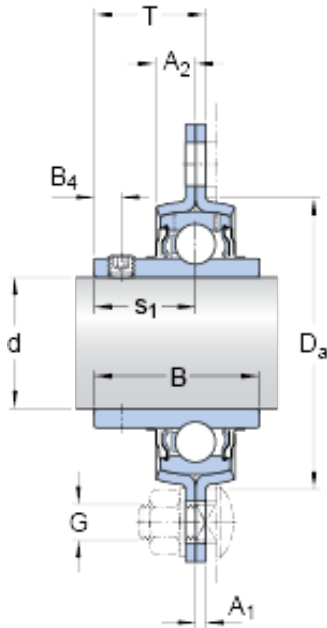




BEARING de Mexico?S.A.



PFD 3/4 TF Bearing 2D drawings and 3D CAD models

SKF PFD 3/4 TF Ball bearings units

Bearing No. PFD 3/4 TF

Size	19.05x2x8 mm
Bore Diameter	19,05 mm
Outer Diameter	2 mm
Width	8 mm
d	19.05 mm
A ₁	2 mm
A ₂	8 mm
B	31 mm
B ₄	4.5 mm
D _a - min.	51 mm
J	71.4 mm
H	90 mm
H ₁	32 mm
H	8.7 mm
s ₁	18.3 mm
T	20.3 mm
Basic dynamic load rating - C	12.7 kN
Basic static load rating - C ₀	6.6 kN
Fatigue load limit - P _u	0.28 kN
Permissible radial housing load	max. 3.3 kN
Weight	0.28 kg
Thread - G ₂ - 1/4-28 UNF	1/428 UNF
Hexagonal key size for grub screw - H	3.175 mm



BEARING de Mexico?S.A.

Housing material	Pressed steel
A ₁	2 mm
A ₂	8 mm
B ₄	4.5 mm
D _a min.	51 mm
H ₁	32 mm
N	8.7 mm
s ₁	18.3 mm
Basic dynamic load rating C	12.7 kN
Basic static load rating C ₀	6.55 kN
Fatigue load limit P _u	0.28 kN
Permissible radial housing load max.	3.3 kN
Mass unit	0.28 kg
Thread grub screw G ₂	1/4-28 UNF
Hexagonal key size for grub screw N	3.175 mm
Recommended tightening torque for grub screw	4 N · m
Recommended diameter for attachment bolts, mm G	8 mm
Recommended diameter for attachment bolts, inch G	0.3125 in